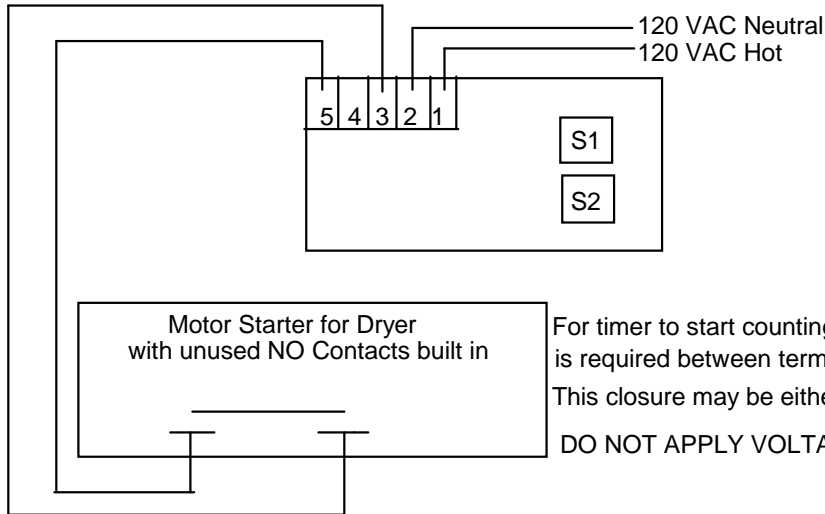


DX200D INSTALLATION AND PROGRAMMING

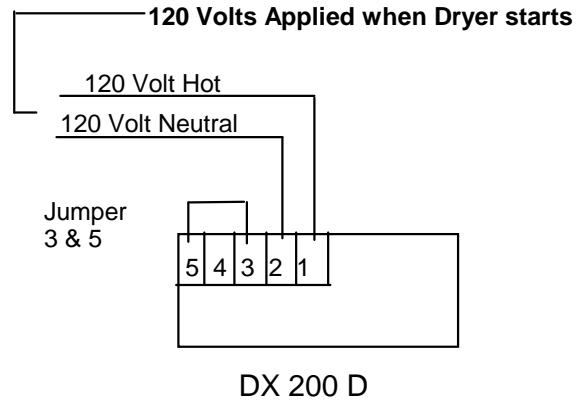
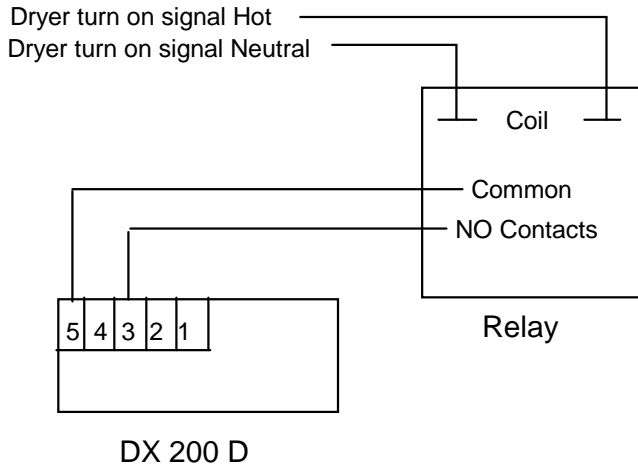
WIRING



Wiring Connections

- 1 120VAC Hot
- 2 120VAC Neutral
- 3 Timer Start
- 4 No Connection
- 5 Timer Start

Other timer start connections



Timer will be dark when not in use.
When Dryer starts timer will light up and start counting down.

PROGRAMMING

Digits are individually set as follows:

S1 Adjusts seconds individually (right digit)

S2 Adjusts seconds by 10's (left digit)

Example: To set display to show 90 seconds: Set S2 to '9' Set S1 to '0'

DIXMOR ENTERPRISES
5755 S. GALLUP ST
LITTLETON CO 80120
303-794-0597